

PLETSCHER®

SWITZERLAND

# PLETSCHER PRODUCT NEWS 2023



FENDER

**ALUMINIUM**

R 40 / 50 / 60 / 65 / 80

20" - 29"

EN



## PLETSCHER NEWS 2023

### Orion Wersa

The seat post carrier with wersa-system for bags

#### properties

- certified to EN ISO 11243, max load 8 kg
- aluminium-die cast
- adjustable tilt angle by scanning
- suitable for full suspension bike
- integrated Wersa-System for easy on and off of the accessories
- for seat posts with a diameter of 24 - 35 mm

#### application

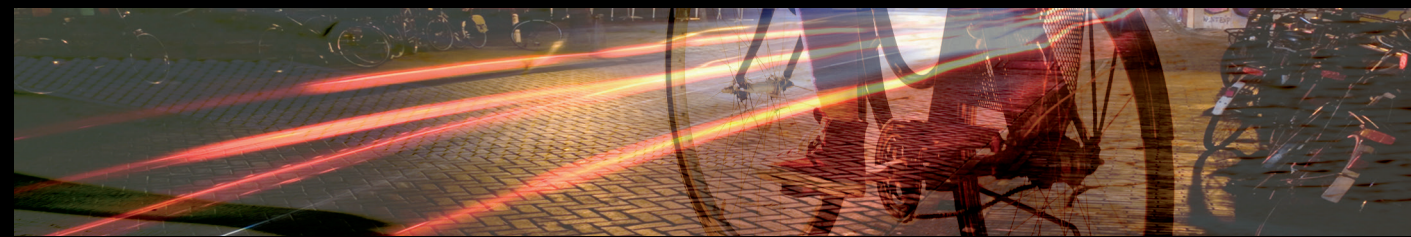
- MTB-Bike
- racing bike
- Gravel-Bike

#### colour

- black
- metallic silver



bag ROMA



## PLETSCHER NEWS 2023

### Mounting bracket on fender

The elegant integration

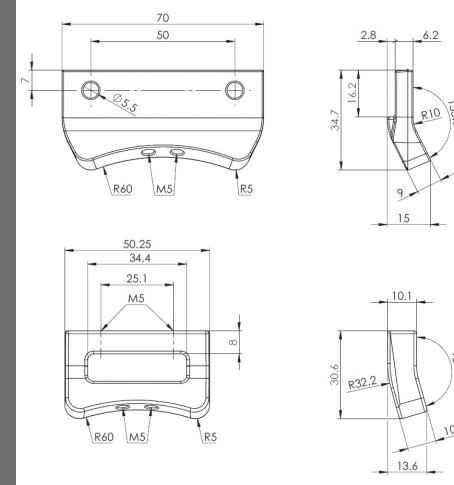
The carrier can be mounted directly with the new mounting parts on the robust aluminium fender (width 60, 65, 80 mm).

#### material

- aluminium-die cast

#### colour

- powder coating black



NEU

### Twin

center kickstand with tab for easy fold & unfold

#### properties

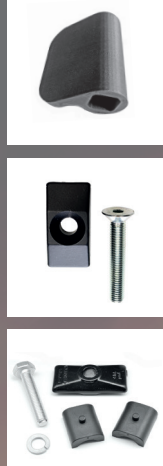
- push spring movement
- max. load 35 kg
- weight: 542 g
- strut length: 290 (S) or 320mm (L)
- customized length on request
- incl. screw M 10x20 and spring washer
- clamp optional for AFM
- kickstand shoe optional (F24)

#### colour

- polished
- powder coated black or metallic silver

#### material

- Aluminium die cast GD-AISI9Cu3



NEU

### Werso for MIK System carrier

With aluminum struts for 26" - 29" / adjustable

#### properties

- certified to EN ISO 11243, max. load 27 kg
- aluminium-die cast
- integrated MIK - System
- Y aluminium struts for 26" - 29" / Ø 12 mm
- integrated rear light holder 50/80 mm
- optionally with pump pegs
- optionally with clamp
- NOT SUITABLE FOR CHILD SEATS

#### application

- City-Bike
- Trekking-Bike
- Gravel-Bike
- E-Bike

#### colour

- black



NEU

### Alu-basket full aluminium

Optional - Inlay bag with handle

#### properties

- suitable for shopping
- integrated handle with protection
- plastic adapter for easy-fix system or aluminium adapter for Wersa system

#### application

- suitable for all Pletscher carriers with easy-fix or Wersa system

#### specification

- L: 400 mm; W: 240 mm; H back: 220 mm
- H front: 190 mm
- weight incl. adapter 1350 g

#### colour

- black
- silver



### ESGE Flex-Light kickstands

Optima / Comp 18 / Comp 40 Flex-Light

adjustable in length / max. load 50 kg

Weight-optimized, fiberglass-reinforced plastic foot

#### properties

- push spring movement
- adjustable length for 20" - 29"
- material: Aluminium die cast GD-AISI9Cu3
- colour: powder coating black or metallic-silver
- own company branding on sleeve on request

#### application

- City-Bike
- Trekking-Bike
- Gravel-Bike

SWISS MADE



NEU

# WERSO

FOR **MIK** SYSTEM  
MOUNTING . IS . KEY



**PLETSCHER AG**

Obere Schilling 4

CH-8460 Marthalen

info@pletscher.ch

T + 41 (0) 52 305 46 46

[www.pletscher.ch](http://www.pletscher.ch)